

New Zealand Fire Hydrants - Tall & Squat - PN16

Derwent Industries supplies both Tall and Squat New Zealand Hydrants. The Hydrants are manufactured to NZS 4522:2010. The Underground Fire Hydrants are available in both Tall and Squat version.

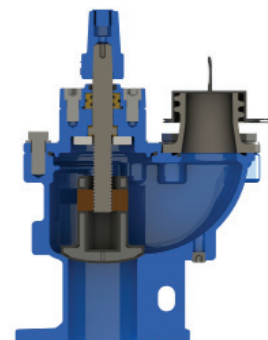
Features & Configurations:

- Material: Ductile Iron Body and top to AS 1831
- Coating: Fusion Bonded Epoxy (FBE) (Or approved equivalent) Standard: AS/NZS 4158
- Clamping Plate 316 Stainless Steel
- Bolts, Nuts and Washers: 316 Stainless Steel (Anti galling coating)
- Configuration: Tall and Squat Versions (Frost Plug optional)
- Flange: AS 4087 - Table D
- Sizes: Slotted DN 80 / 90
- Code: NZHTALL - Tall Hydrant - NZHTALL15 (Frost Plug)
 NZHSQUAT - Squat Hydrant - NZHSQUAT15 (Frost Plug)
- Pressure Rating: PN16 Only
- Test Pressure: Body 2.4 MPa (AS2638.2) Seat 1.76 MPa
- Approval: StandardsMark License No: SMK41119



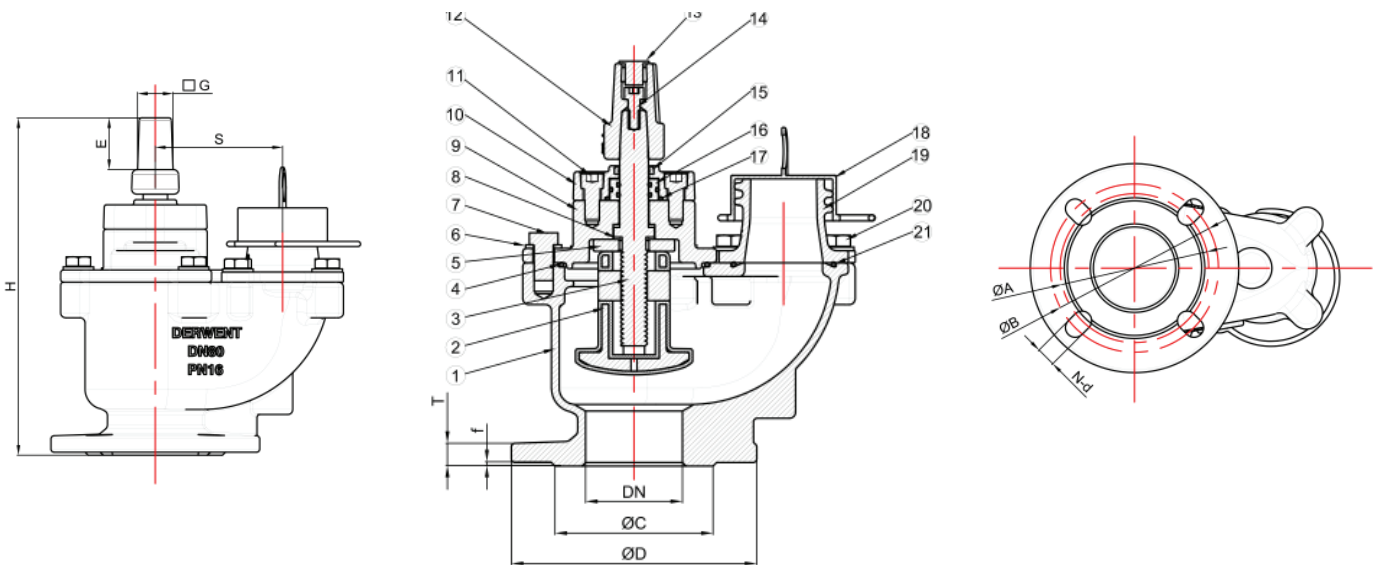
Application:

The Derwent Industries Fire Hydrants are for use with either Potable Water or Reuse Water for fire protection.



Part List

No	Part	Material	Material Grade	Standard
1	Body	Ductile Iron	GJS 500-7	AS 1831
2	Wedge	Ductile Iron + Vulcanized Rubber	GJS 500-7 + EPDM	AS 1831 + AS 1646 and AS 681.1
3	Stem	Stainless Steel	SS 431	ADTM A276
4	O-Ring	Rubber	NBR	AS 1646 and AS 681.1
5	Clamping Plate	Stainless Steel	SS 316	ASTM A276
6	Washer	Stainless Steel	SS 316	ASTM A276
7	In Hex Bolt	Stainless Steel	SS 316	ASTM A276
8	Bushing	Bronze	C62300	AS/NZS 1567
9	Bonnet	Ductile Iron	GJS 500-7	AS 1831
10	Gland	Ductile Iron	GJS 500-7	AS 1831
11	In Hex Bolt	Stainless Steel	SS 316	ASTM A276
12	Cap	Ductile Iron	GJS 500-7	AS 1831
13	Cap Cover	Ductile Iron	GJS 500-7	AS 1831
14	In Hex Bolt	Stainless Steel	SS 316	ASTM A276
15	Dust Wiper	Rubber	NBR	AS 1646 and AS 681.1
16	Retainer	Bronze	C62300	AS/NZS 1567
17	O-Ring	Rubber	NBR	AS 1646 and AS 681.1
18	Dust Cap	PE		
19	Outlet	Stainless Steel	SS 316	ASTM A276
20	In Hex Bolt	Stainless Steel	SS 316	ASTM A276
21	O-Ring	Rubber	NBR	AS 1646 and AS 681.1



Dimensions:

Type	DN	S	ØH	ØA	ØB	ØC	D	N-d	T	E	f	G
Squat	80	125	339	146	165	132	205	4-18	19	50	3	35
Tall	80	125	394	146	165	132	205	4-18	19	50	3	35